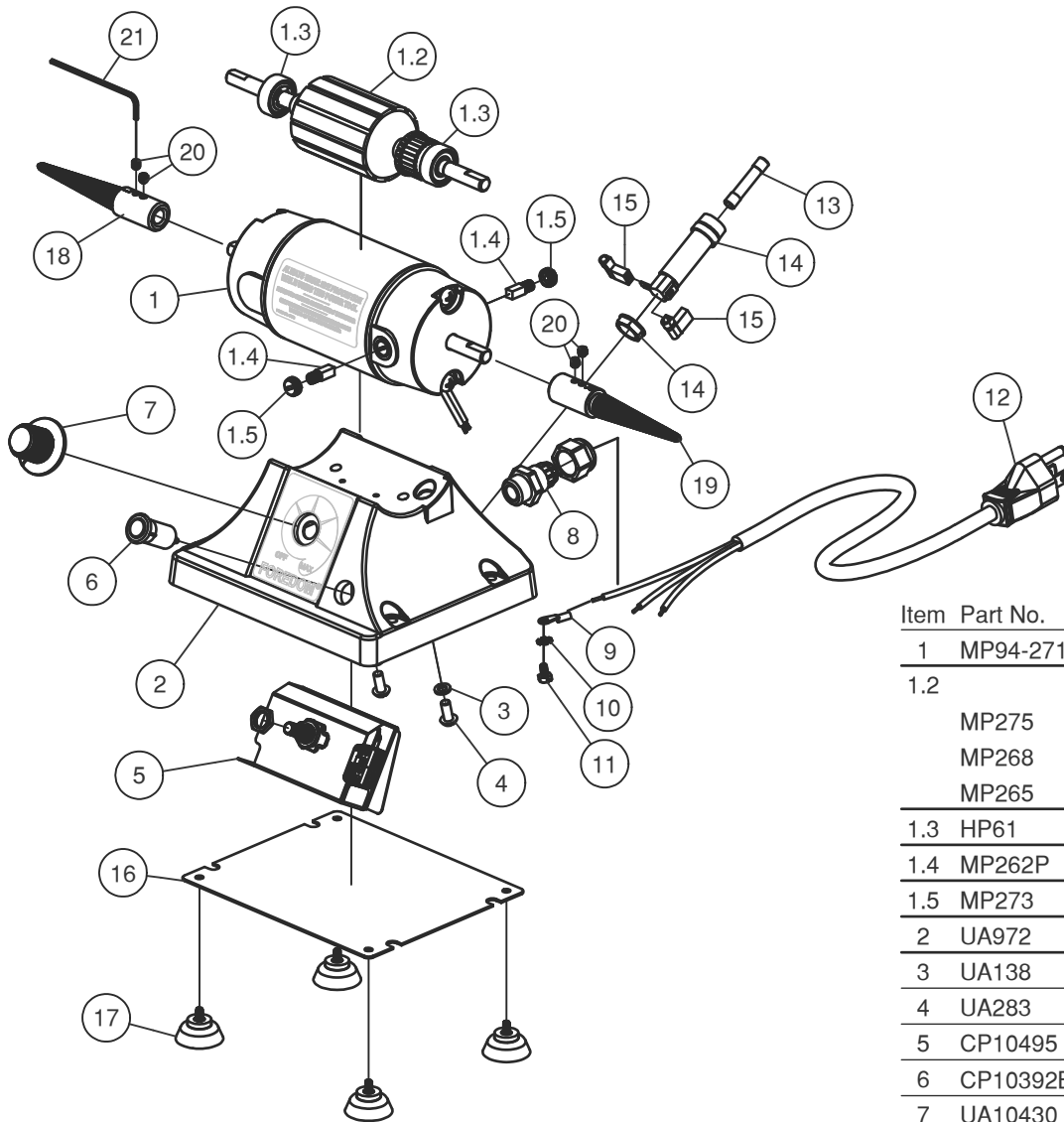
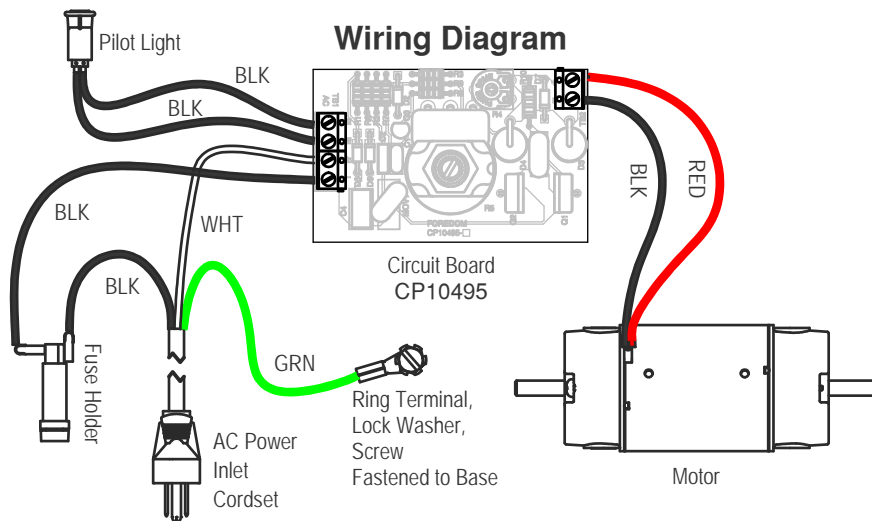


# Parts List

## M.BL Bench Lathe, 115V



Item	Part No.	Description	Qty
1	MP94-271	Motor, BL, 115V	1
1.2		Armature (with 2 Bearings)	1
	MP275	White Motor, 5/16" Shaft	
	MP268	Gray Motor, 5/16" Shaft	
	MP265	Gray Motor, 1/4" Shaft	
1.3	HP61	Ball Bearing	2
1.4	MP262P	Brush & Spring (Pair)	1
1.5	MP273	Brush Cap*	2
2	UA972	Base	1
3	UA138	Washer, #10	2
4	UA283	Screw, 10-32 x 7/16	2
5	CP10495	Speed Control, 115V	1
6	CP10392B	Pilot Light, 125V	1
7	UA10430	Knob	1
8	UA137	Strain Relief	1
9	CP10391	Ring Terminal #6	1
10	CP10573	Lock Washer, #6	1
11	UA10376	Screw, 6-32 x 1/4"	1
12	CP10541	Male Cordset	1
13	CP10574	Fuse 3 Amp	1
14	CP10693	Fuse Holder with Nut	1
15	UA10005	Faston Receptacle	2
16	UA10695	Cover	1
17	UA130	Rubber Foot	4
18		Tapered Spindle, Left	1
	A-TM5	For 5/16" Motor Shaft	
	A-TM3	For 1/4" Motor Shaft	
19		Tapered Spindle, Right	1
	A-TM6	For 5/16" Motor Shaft	
	A-TM4	For 1/4" Motor Shaft	
20	UA117	Set Screw 8-32 x 3/16	4
21	UA112	Hex Key, 5/64"	1
-	1248	User Manual	1
-	1234	Buff & Polish Guide	1
-	02A01550	Replace Control Instructions	1



**FOREDOM**<sup>®</sup> Freedom Electric Company  
 16 Stony Hill Rd., Bethel, CT 06801 • 203-792-8622  
 Fax: 203-796-7861 • www.foredom.net

Form No. 1180 d 07/13

\*Brush Cap not available for gray motors.